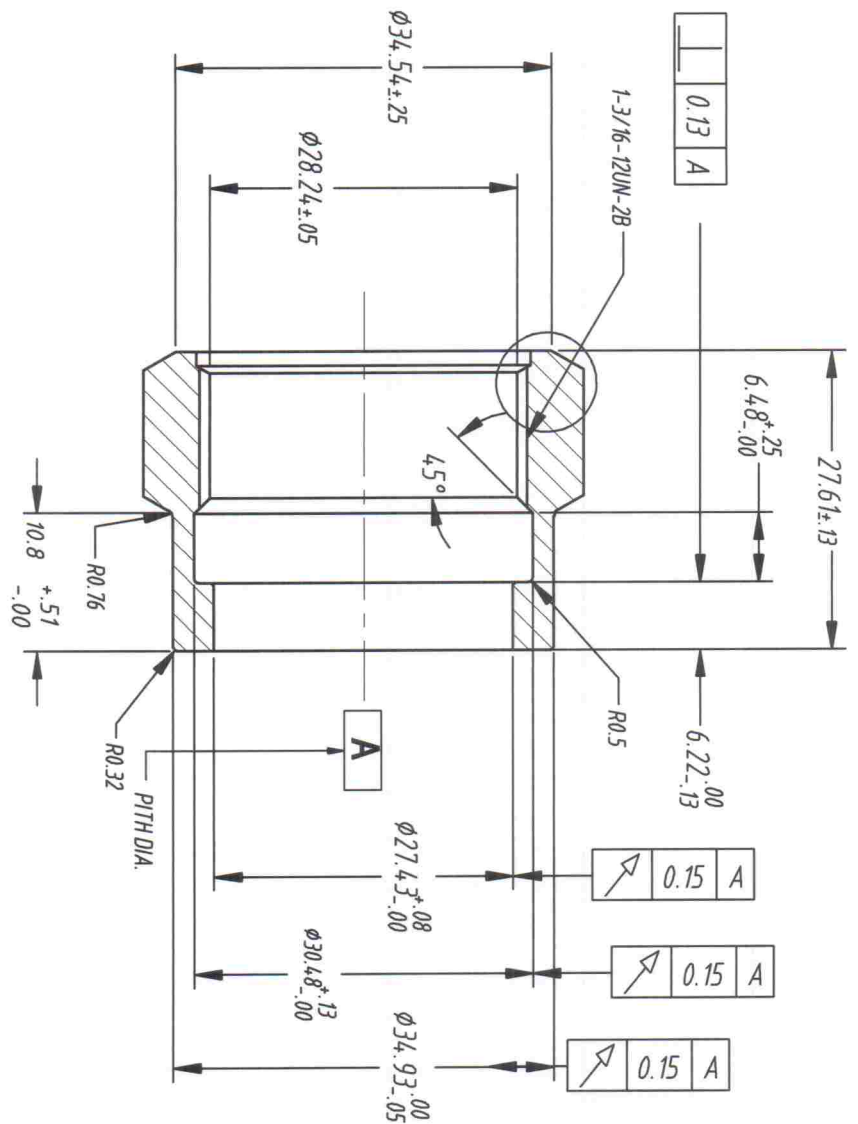


REV 更改号	DATE 日期	REVISION DETAILS 更改内容	APPD 审核并批准



UNLESS SPECIFIED
ALL DIMENSIONS IN mm
MACHINED SURFACES Ra=3.2um
ANGLE TOLERANCES 3°
Other tolerances except angles,
in accordance with
GB/T1804-2000 (ISO2768-1) and
GB/T1804-1998 (ISO2768-2)

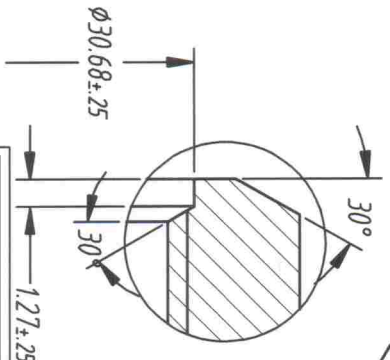
其它事项
图元尺寸单位为mm
未经加工表面粗糙度Ra=3.2um
未注角度公差±1°
其它公差 (除精度外) 均按:
GB/T1804-2000 (ISO2768-1) 和
GB/T1804-1998 (ISO2768-2)

MATERIAL

Chinese steel 45

FINISH

Remove all sharp edges, burrs, slivers and swarf, break all edges 0.127-0.254mm.
Zinc Plated With Trivalent Chromate And No Red Corrosion In 96 Hours Salt Spray Test.



PART NO
零件名

SWIVEL NUT

SCALE

NTS

APPD:
批准:

DRN
制图: WAN QIU

DATE
日期: 19/05/15

CHK
审核: YB. ZHAN